








# NEW BREMBO SPORT PAD APPLICATIONS

## MARCH 2016

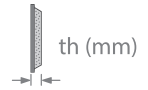
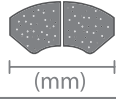
UPDATE MARCH 2016

New pad shapes highlighted in red

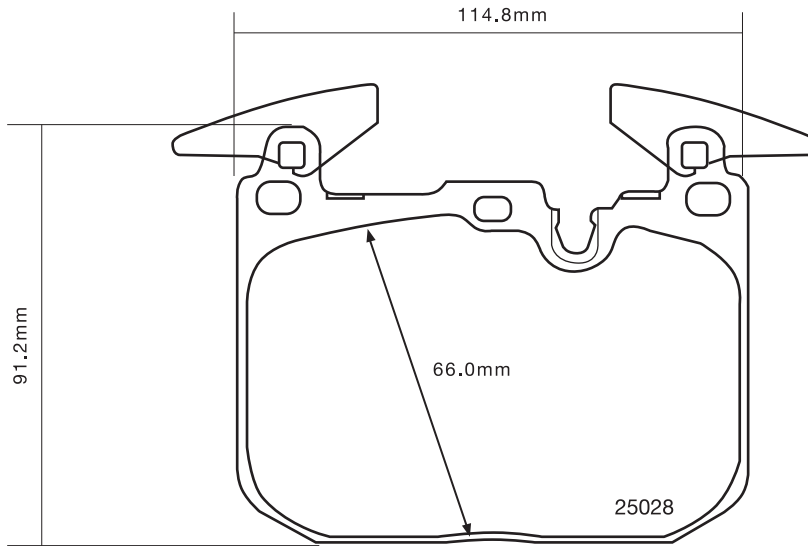
	<i>kW</i>					
			F - Part Number	R - Part Number		
<b>BMW</b>						
<b>1 (F20), (F21)</b> 114d, 116d&i, 118d&i, 120d&i, 125d&i, M135i	80 - 240	06,11	-	F	<b>07.B314.90</b>	With Performance Brake
<b>2 (F22), (F23), (F87)</b> 214d, 216d&i, 218d&i, 220d&i, 225d&i, M235i	105 - 240	10,13	-	F	<b>07.B314.90</b>	With Performance Brake
<b>3 (F30), (F31), (F34), (F35), (F80)</b> 316d&i, 318d&i, 320d&i, 325d, 328i, Hybrid 330d, 335i, 340i, M3	105 - 317	10,11	-	F	<b>07.B314.90</b>	With Performance Brake
<b>4 (F31), (F32), (F33), (F82), (F83)</b> 418d, 420d&i, 425d, 428i, 435i, 430d	100 - 250	10,13	-	F	<b>07.B314.90</b>	With Performance Brake
<b>i8 (112)</b>	80 - 240	06,14	-	F	<b>07.B314.90</b>	
<b>AP RACING</b>						
Equivalent to CP3894D54 - 18mm thickness			-	F	<b>07.B314.91</b>	
<b>PORSCHE</b>						
<b>BOXSTER (981)</b> S 3.4, GTS 3.4	232 - 243	04,12	-	F	07.B314.85	R 07.B315.36
<b>CAYMAN (981)</b> S 3.4, GTS 3.4	202 - 239	03,13	-	F	07.B314.85	R 07.B315.36



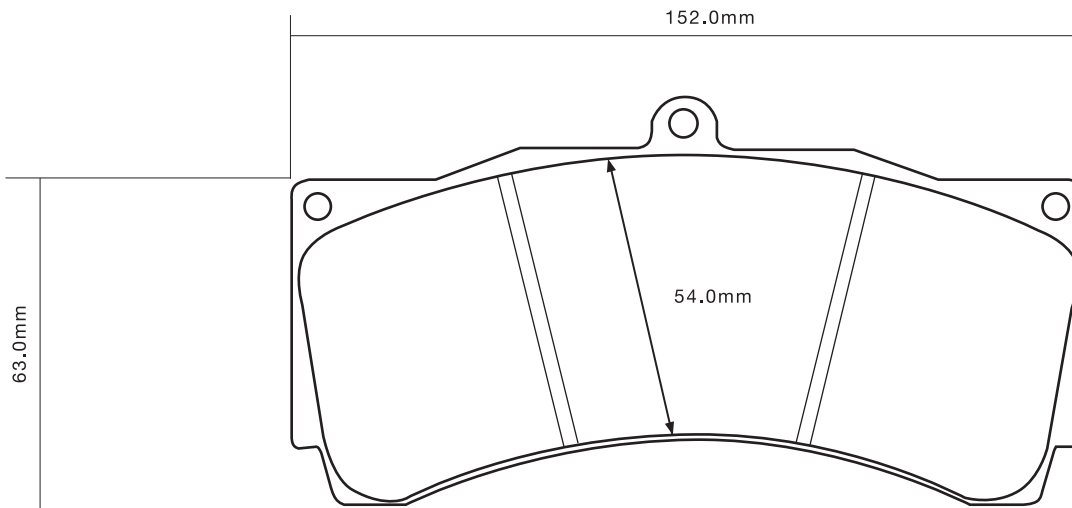
part number



07.B314.90 | 07.B314.91



07.B314.90 th 17.7mm



07.B314.91 th 18.0mm